

HDL-MSD04T.40

4-Zone Dry Contact Module with Temp. Sensor

## buspro

### Datasheet

Issued: July 7, 2019

Edition: V1.0.0



Figure 1. 4-Zone Dry Contact Module with Temp. Sensor

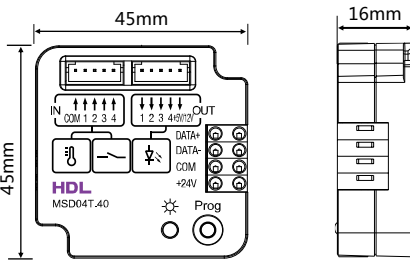


Figure 2. Dimensions-Front View Figure 3. Dimensions-Side View

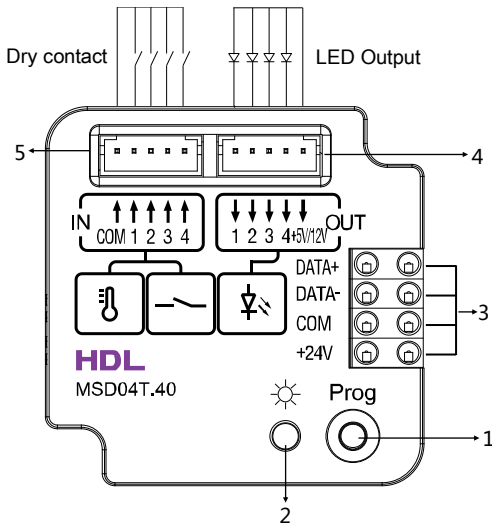


Figure 4. Wiring

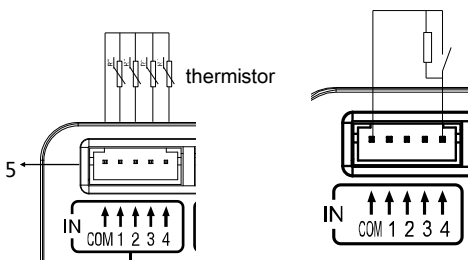


Figure 5. Wiring

Figure 6. Wiring

## Overview

4-Zone Dry Contact Module with Temp. Sensor (See Figure 1) has 4 input channels and 4 output channels. Input signal supports dry contact, temperature signal and dry contact status display via LED indicators.

## Functions

- 4-channel dry contact input with vandal proof.
- Supports temperature input
- Status display via LED indicators
- Supported switch type: Mechanical switch, Single on, Single off, Single on/off, Combination on, Combination off, Combination on/off, Multi-function, Parallel switch, Temperature sensor.
- Supported switch mode: Switch mode, dim up/down, dim up, dim down.
- Control target types: Scene, Sequence, Universal witch, Single channel lighting control, Broadcast scene, Broadcast channel, Curtain control, Panel control, GPRS control, Security module, Music player etc.
- Security function (security module required)
- Temperature alarm: when the temperature exceeds preset range/value, alarm will be triggered.
- Online update via HDL Buspro.

## Important Notes

- Buspro cable - CAT5E or dedicated HDL Buspro cable
- Dry contact signal cable - Shielded cable (less than 50 meters) recommended
- Buspro connection - Series connection (hand-in-hand recommended)
- Vandal-proof - One parallel contacted 1kΩ resistor required
- LED indicator - Only one LED supported
- The temperature probe cable is up to 2.5 meters.

## Product Information

Dimensions - See Figure 2 - 3

Wiring - See Figure 4 - 6

1. Programming button:
  - Keep pressing for 3s to read and modify the ID in HDL Buspro Setup Tool;
  - Keep pressing the button when power on to online upgrading firmware form HDL Buspro Setup Tool.
2. CPU indicator:
  - Flash in green in working mode;
  - Keeps in red during ID modification;
  - Flash in red when online upgrading firmware.
3. HDL Buspro interface
4. LED output terminal, display dry contact status. 5V or 12V terminal can be set according to the LED types.
5. Input terminal, contact to dry contact or thermistor. See Figure 5.

Installation - See Figure 7 - 8

Fix the module to the wall box or the desired position with screws.

## Safety Precautions

- The installation and commissioning of the device must be carried out by HDL or the organization designated by HDL. For planning and construction of electric installations, the relevant guidelines, regulations and standards of the respective country are to be considered.
- HDL does not take responsibility for all the consequences caused by installation and wire connection that are not in accordance with this document.
- Please do not privately disassemble the device or change components, otherwise it may cause mechanical failure, electric shock, fire or body injury.
- Please resort to our customer service department or designated agencies for maintenance service. The warranty is not applicable for the product fault caused by private disassembly.

## Package Contents

HDL-MSD04T.40\*1 / Buspro connector\*1 / Dry contact cable\*2 / Datasheet\*1

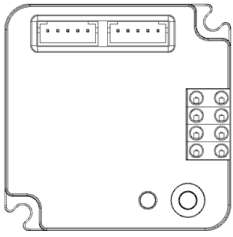


Figure 7

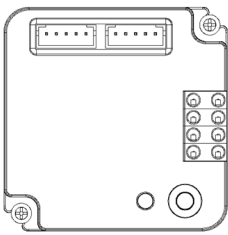


Figure 8

Figure 7 - 8. Installation

## Technical Data

### Basic Parameters

Working voltage	12~30V DC
Working current	10mA/24V DC
Communication	HDL Buspro

### External Environment

Working temperature	-5°C~45°C
Working relative humidity	≤90%
Storage temperature	-20°C~60°C
Storage relative humidity	≤93%

### Specifications

Dimensions	45mm×45mm×16mm
Net weight	57g
Housing material	ABS
Installation	Fix with screws (See Figure 7 - 8)
Protection rating (Compliant with EN 60529)	IP20

### Name and Content of Hazardous Substances in Products

Components	Hazardous substances					
	Lead (Pb)	Mercury (Hg)	Cadmium (Cd)	Chromium VI (Cr (VI))	Poly-brominated biphenyls (PBB)	Poly-brominated diphenyl ethers (PBDE)
Plastic	o	o	o	o	o	o
Hardware	o	o	o	o	-	-
Screw	o	o	o	x	-	-
Solder	x	o	o	o	-	-
PCB	x	o	o	o	o	o
IC	o	o	o	o	x	x

The symbol “-” indicates that the hazardous substance is not contained.

The symbol “o” indicates that the content of the hazardous substances in all the homogeneous materials of the component is below the limit requirement specified in the Standard IEC62321-2015.

The symbol “x” indicates that the content of the hazardous substance in at least one of the homogeneous materials of the part exceeds the limit requirement specified in the Standard IEC62321-2015.

## HDL Buspro Cable Guide

HDL Buspro	HDL Buspro Cable	CAT5/CAT5E
DATA+	Yellow	Blue/Green
DATA-	White	Blue white/Green white
COM	Black	Brown white/Orange white
24V DC	Red	Brown/Orange

#### Technical support

E-mail: [support@hdlautomation.com](mailto:support@hdlautomation.com)

Website: <https://www.hdlautomation.com>

©Copyright by HDL Automation Co., Ltd. All rights reserved.  
Specifications subject to change without notice.