

Datasheet

Issued: April 15, 2019

Edition: V1.0.0



Figure 1. LCD Touch Thermostat

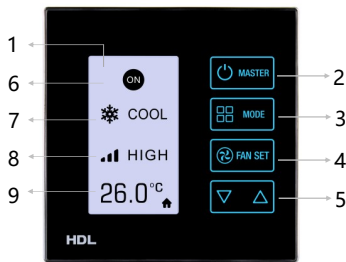


Figure 2. Front View

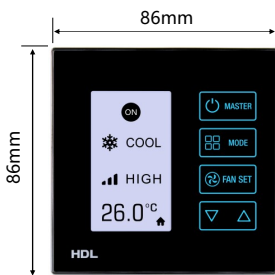


Figure 3. Dimensions - Front View

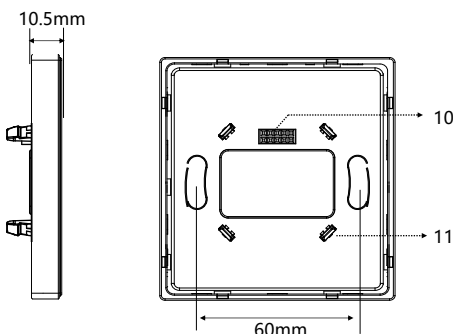


Figure 4. Dimensions - Side View Figure 5. Dimensions - Back View

Overview

LCD Touch Thermostat (See Figure 1) is designed to control air conditioners. Displaying the current indoor temperature and air conditioning status via LCD screen, the panel can detect the indoor temperature at any time and compare with the set temperature, and automatically adjust the air conditioning status.

Figure 1 shows the representative picture of this model. Compared with other similar panels, this panel has the same function, except different key styles.

Functions

- Controls air conditioner's temperature, mode, fan speed and power.
- Supports setting of external IR function, backlight brightness, and power saving mode.
- Supports cooling, heating, dehumidification and fan speeds.
- Supports high, medium, low, auto fan speeds.
- Supports temperature and status display of air conditioner.
- Supports online update via HDL Buspro Setup Tool.

Important Notes

- The panel should be installed on the wall box.
- The panel should work in conjunction with the power interface.
- It is recommended to connect wires in hand-in-hand.
- Images are for reference only, and the actual products should prevail.

Product Information

Front view - See Figure 2

1. LCD screen
2. Master button: Turns air conditioner on/off.
3. Mode button: Switch between the modes of cooling, heating, dehumidification, fan speeds, auto.
4. Fan speed button: Adjust the fan speeds between high, medium, low and auto speeds.
5. Temperature control button: It can be used to select the temperature 0°C~30°C.
6. Status display of AC: Display ON/OFF
7. Mode display
8. Fan speed display
9. Temperature display
10. HDL Buspro interface: Connects panel to power interface
11. Mounting slot: Connects panel to power interface

Dimensions - See Figure 3, 4 and 5

Product installation and disassembly

Installation - See Figure 6 - 8

- Step 1. Install the wall box in the wall.
- Step 2. Fix the power interface onto the wall box with screws.
- Step 3. Hold the edge of the panel, and insert the panel in the slots of power interface vertically.

Disassembly - See Figure 9

- Step 1. Insert a straight screwdriver into the gap between the panel and power interface.
- Step 2. Hold the panel, pry up the panel gently and take down the panel.

Safety Precautions

- The installation and commissioning of the device must be carried out by HDL or the organization designated by HDL. For planning and construction of electric installations, the relevant guidelines, regulations and standards of the respective country are to be considered.
- The device should be installed in wall box. HDL does not take responsibility for all the consequences caused by installation and wire connection that are not in accordance with this document.
- Please do not privately disassemble the device or change components, otherwise it may cause mechanical failure, electric shock, fire or body injury.
- Please resort to our customer service department or designated agencies for maintenance service. The warranty is not applicable for the product fault caused by private disassembly.

Package Contents

HDL-MPTAC01.48-A*1 / Datasheet*1

Technical Data

Basic Parameters

Working voltage	12~30V DC
Working current	40mA / 24V DC
Communication	HDL Buspro
Temperature setting range	0~30°C

External Environment

Working temperature	-5°C~45°C
Working relative humidity	≤90%
Storage temperature	-20°C~60°C
Storage relative humidity	≤93%

Specifications

Dimensions	86×86×10.5(mm)
Net weight	120g
Housing material	Glass, ABS, Aluminum
Installation	Wall box (See Figure 6 - 8)
Protection rating (Compliant with EN 60529)	IP20

Name and Content of Hazardous Substances in Products

Components	Hazardous substances					
	Lead (Pb)	Mercury (Hg)	Cadmium (Cd)	Chromium VI (Cr (VI))	Poly-brominated biphenyls (PBB)	Poly-brominated diphenyl ethers (PBDE)
Plastic	o	o	o	o	o	o
Hardware	o	o	o	o	-	-
Screw	o	o	o	x	-	-
Solder	x	o	o	o	-	-
PCB	x	o	o	o	o	o
IC	o	o	o	o	x	x
Glass	o	o	o	o	o	o

The symbol "-" indicates that the hazardous substance is not contained.

The symbol "o" indicates that the content of the hazardous substances in all the homogeneous materials of the component is below the limit requirement specified in the Standard IEC62321-2015.

The symbol "x" indicates that the content of the hazardous substance in at least one of the homogeneous materials of the part exceeds the limit requirement specified in the Standard IEC62321-2015.

HDL Buspro Cable Guide

HDL Buspro	HDL Buspro Cable	CAT5/CAT5E
DATA+	Yellow	Blue/Green
DATA-	White	Blue white/Green white
COM	Black	Brown white/Orange white
24V DC	Red	Brown/Orange

Technical support

E-mail: support@hdlautomation.com

Website: <https://www.hdlautomation.com>

©Copyright by HDL Automation Co., Ltd. All rights reserved.
Specifications subject to change without notice.

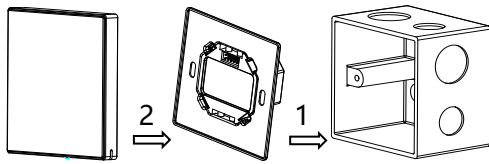


Figure 8. AC Control Panel Figure 7. Power interface Figure 6. Wall box

Figure 6 - 8. Installation

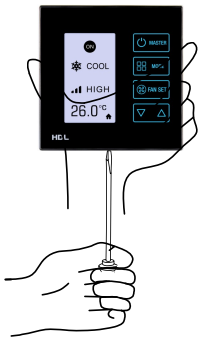


Figure 9. Disassembly