

HDL-MPTLC43.46

4.3-Inch Enviro Touch Screen

buspro

Datasheet

Issued: June 9, 2021

File Edition: V1.0.1

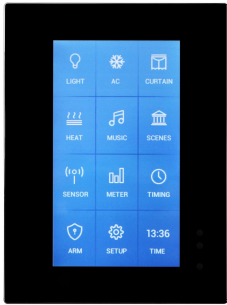


Figure 1. 4.3-Inch Enviro Touch Screen

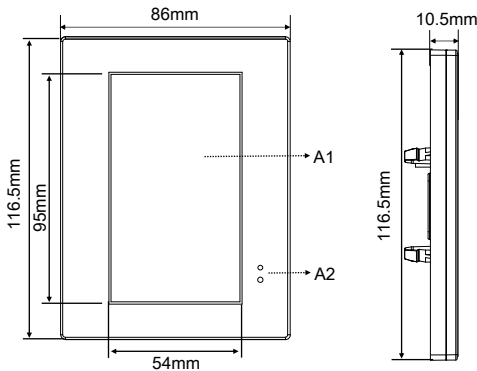


Figure 2. Dimensions - Front View (Regular) Figure 3. Dimensions - Side View (Regular)

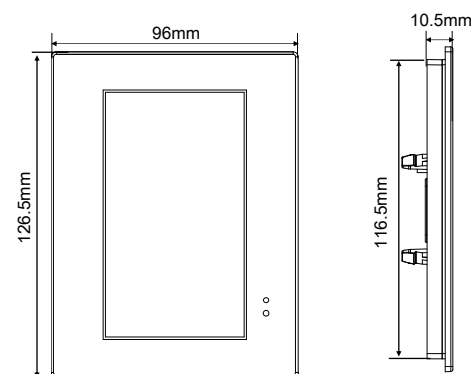


Figure 4. Dimensions - Front View (Larger) Figure 5. Dimensions - Side View (Larger)

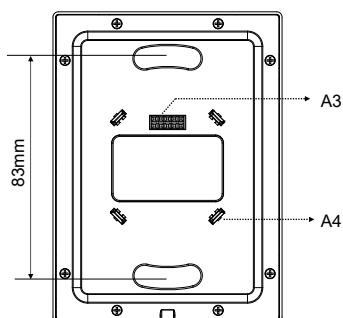


Figure 6. Dimensions - Back View

Figure 2 - 6. Dimensions

Overview

4.3-Inch Enviro Touch Screen (See Figure 1) is a high-end and multi-function control panel for home automation. With real color LCD screen, touch control, it is convenient for the users to control lighting, scene, curtain, music, air conditioning, floor heating and others in an intuitive way.

Functions

- Built-in temperature sensor and proximity sensor
- Adjustable LCD backlight
- LCD screen wakes up automatically.
- According to the preset time, the panel can automatically switch to the set interface. As the set time passed, the screen dims and enters the energy saving mode.
- 60 control buttons in total can be set. The quantity and layout of the control buttons can be defined by user.
- AC control: Supports 9 air conditioners
- Floor heating control: Totally 9 floor heating modules supported. Floor heating modes: Normal, Day, Night, Away, Timing. (According to the preset time, the panel can switch automatically between Day mode and Night mode.)
- Music play: supports 9 music players
Various music source supported: SD card, Audio-IN, BT, S/PDIF, RADIO
SD card playlist options: LIST1...LIST10
- Timer function
- Security settings: supports various security modes: Vacation, Away, Day, Night, Meeting guests, etc.
- Standby interface: Date, time and current temperature display
- Various key modes: Invalid, Single on/off, Single on, Single off, Combination on, Combination off, etc.
- Various key control modes: Scene, Sequence, Time switch, Universal switch, Single channel adjustment, Broadcast scene, Broadcast channel, Curtain control, GPRS control, Panel control, Security module, Music play, General control;
- Panel control functions include: Infrared receiving enable, AC on/off, AC cooling/heating mode, Auto temperature setting, Fan speed adjustment, AC mode setting, AC temperature adjustment, Backlight switch, AC lock, Backlight and status indicator luminance setting, Floor heating temperature and mode control etc.
- Upgrading online via HDL Buspro is available.

Important Notes

- The panel should be installed on wall box.
- The panel should work in conjunction with the power interface.
- Buspro connection - hand-in-hand recommended.

Product Information

Dimensions - See Figure 2 - 6

A1. LCD screen: 4.3-inch IPS true color LCD screen with customizable icons via HDL Buspro Setup Tool.

A2. Proximity sensing: Also known as wake-up function, when someone approaches the sensor, the LCD screen will light up.

A3. Communication interface: HDL Buspro bus connector. It connects to panel power interface.

A4. Mounting slot: Connects to the panel power interface.

Safety Precautions

- The installation and testing for the product must be carried out by HDL Automation Co., Ltd. or its appointed service agencies. The electric construction shall comply with local laws and safety regulations.
- The device should be installed in wall box. HDL will not be responsible for any consequence caused by the inexpert or faulty installation and wiring methods, which are not in accordance with the instructions contained in this operating instruction.
- Please do not privately disassemble or replace any parts of the product. Otherwise, it may cause mechanical fault, electric shock, fire or personal injuries.
- Please contact our after-sales departments or our designated service agencies for your maintenance service. Product failures caused by private disassembly are not subject to this warranty.

Package Contents

HDL-MPTLC43.46*1 / Datasheet*1

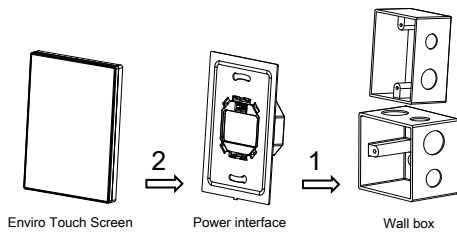


Figure 7. Installation

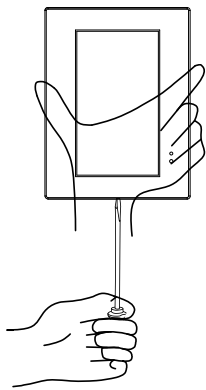


Figure 8. Disassembly

Technical Data

Basic Parameters

Working voltage	12~30V DC
Working current	85mA/24V DC
Communication	HDL Buspro
Cable diameter of Buspro terminal	0.6-0.8mm

External Environment

Working temperature	-5°C~45°C
Working relative humidity	≤90%
Storage temperature	-20°C~60°C
Storage relative humidity	≤93%

Specifications

LCD resolution	480x272
Dimensions	86×116.5×10.5 (mm) (Regular) 96×126.5×10.5 (mm) (Larger)
Net weight	129g(Regular), 171g(Larger)
Housing material	Glass, PC, ABS
Installation	Wall box (See Figure 7)
Protection rating (Compliant with EN 60529)	IP20

Approved

CE

RoHS

HDL Buspro Cable Guide

HDL Buspro	HDL Buspro Cable
24V DC	Red
COM	Black
DATA-	White
DATA+	Yellow

Installation

Product installation and disassembly

Installation - See Figure 7

- Step 1. Install the wall box in the wall.
- Step 2. Fix the power interface onto the wall box with screws.
- Step 3. Hold the edge of panel, and insert the panel in the slots of power interface vertically.

Disassembly - See Figure 8

- Step 1. Insert a straight screwdriver into the gap between the panel and power interface.
- Step 2. Hold the panel, pry up the panel gently and take down the panel.

Technical support

E-mail: hdltickets@hdlautomation.com
Website: <https://www.hdlautomation.com>

©Copyright by HDL Automation Co., Ltd. All rights reserved.
Specifications subject to change without notice.