

6W Magnetic Track Spotlight

Datasheet



CX5001



Please scan the QR code above to check the latest version of datasheet!

Before using this product, please read this datasheet carefully and keep it properly!

Document Version: C

◆◆ Overview

6W Magnetic Track Spotlight (hereinafter referred to as the “product” or “device”) is a magnetic spotlight used with magnetic track, primarily suitable for indoor spaces such as hotels, luxury homes, clubs, model rooms, sales offices, museums, restaurants, shopping malls, shops, etc., which require special lighting.

Main functions:

- 6W Magnetic Track Spotlight with black painted finish (RAL 9005);
- Built-in DALI dimming driver/ON-OFF driver;
- LED 6W;
- Measurement $\varnothing 38.5\text{mm}$; height of the spotlight is 103.4mm; wide of the profile inset is 186mm;
- High color rendering at an index of CRI90;
- After a lifetime of 50000h min. 80% of the luminous flux;
- Precise beam characteristic with $16^\circ/24^\circ/36^\circ$ beam angles;
- Lighting perfectly suitable for reading, writing as well as computer and control work according to DIN EN 12464-1(UGR<15);
- Degree of housing protection according to DIN EN 60529 (IP20).

Note: Please note that the pictures and illustrations provided in this instruction manual are for reference purposes only, and the actual product may differ.

◆◆ Appearance



Figure 1

◆◆ Technical Data

Item	Parameter
LED	
Adjustable color temperature	2800K-6000K
Fixed color temperature	2700K/3000K/3500K/4000K/5000K
CRI	>90
L80B10 lifetime	50,000h
SDCM	3
Optics	
CCT light beam angle	16°/24°/36°
UGR	< 15
System Output	360lm
Power supply parameters	
LED Driver	DALI dimming driver/ON-OFF driver
LED Power	6W
Rated voltage	36V
Rated current	150mA

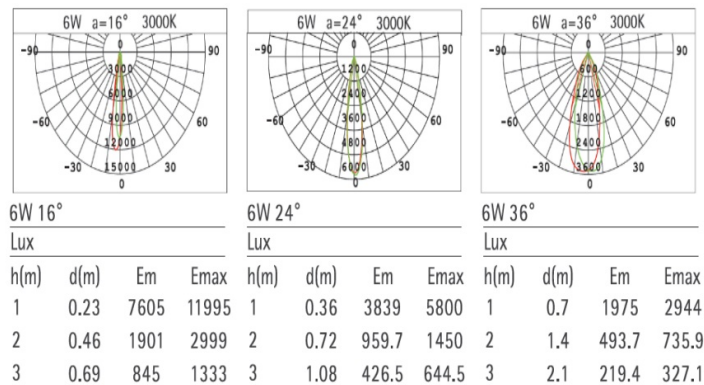


Figure 2- Adjustable Color Temperature - Light Distribution

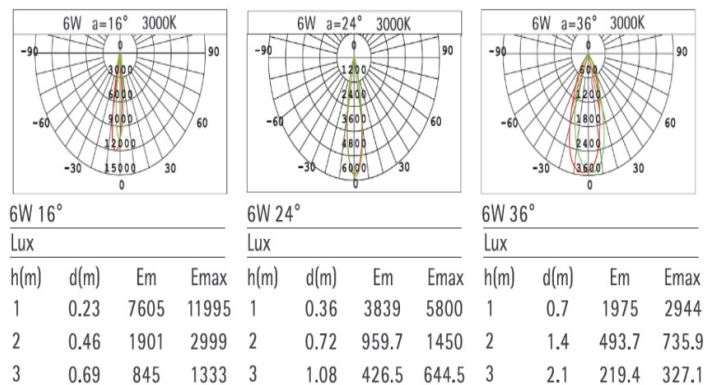


Figure 3- Fixed Color Temperature - Light Distribution

Note: The technical data represent rated values for an ambient temperature of 25°C. The data values for the luminous flux are initially subject to a tolerance of +/- 10%, those for the electrical connected load are initially subject to a tolerance of +/- 10%, and those for the colour temperature are initially subject to a tolerance of +/- 150 K. No liability is assumed for typographical or printing errors.

◆◆ Specifications

Item	Parameter
Dimensions	Ø38.5mm
Height	103.4mm
Type	Spotlight
Weight	134g
Installation	Install onto the track, adjustable
Installation site	Indoor
Version	Round
Housing	Black
IP degree (compliant with EN 60529)	IP20

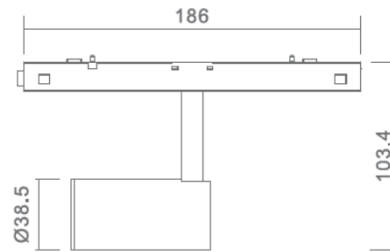


Figure 4

◆◆ Safety Precaution

Danger:

- Please do not privately disassemble or replace any parts of the product. Otherwise, it may cause mechanical fault, electric shock, fire or personal injuries.
- Under no circumstances should the product be covered by insulation pads or similar materials.

Warning:

- The installation and testing for the product must be carried out by HDL Automation Co., Ltd. (hereinafter referred to as HDL) or its appointed service agencies. The electric construction shall comply with local laws and safety regulations.
- HDL will not be responsible for any consequence caused by the inexpert or faulty installation and wiring methods, which are not in accordance with the instructions contained in this datasheet.
- Please contact HDL after-sales departments or our designated service agencies for your maintenance service. Product failures caused by private disassembly are not subject to the warranty.

Caution:

- Before performing any installation or disassembly procedures on the device, it is crucial to disconnect the device from all voltage sources. This step is necessary to ensure the safety of the technician and prevent any potential damage to the

device.

- Do not use corrosive liquid to wipe the device body, especially the interface, so to avoid damage to the device. Do not wipe the device with a damp cloth.
- Before performing any maintenance or cleaning procedures on the device, it is imperative to disconnect the device from all voltage sources. This precautionary measure is necessary in order to prevent electric leakage and the risk of electric shock.
- After all of the cables are terminated, check for correct and good terminations.
- Overrange is not allowed. Please use the device in accordance with the technical specifications.

Note:

- The use of this product must not violate any safety regulations, and the product must be 800mm away from the illuminated object.
- Ensure that this product is securely fastened to the surface of the installed object and not installed on ceilings that are easily damaged or deformed.
- In order to extend the service life and maintain the best lighting effect, it is recommended to regularly clean and maintain the product.

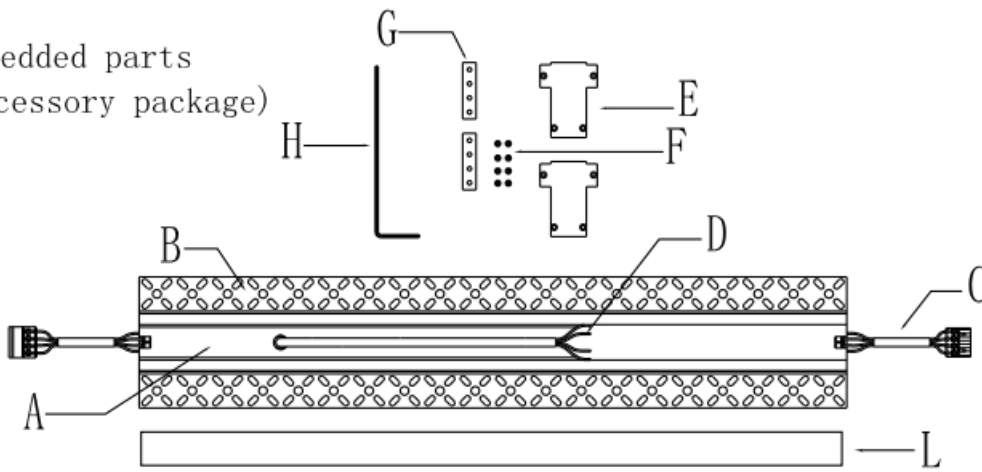
◆◆ Installation

Warning: Before performing any installation or disassembly procedures on the device, it is crucial to disconnect the device from all voltage sources. This step is necessary to ensure the safety of the technician and prevent any potential damage to the device.

This installation instruction includes installation of pre-embedded magnetic tracks, surface mounted magnetic tracks, and suspension magnetic tracks.

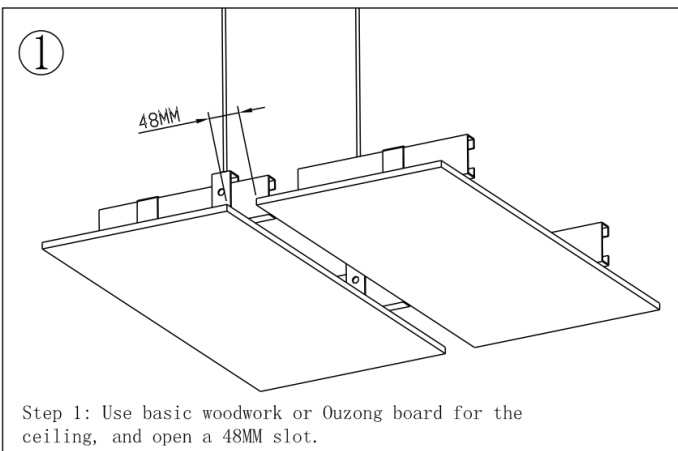
Installation of pre-embedded magnetic tracks is as follows:

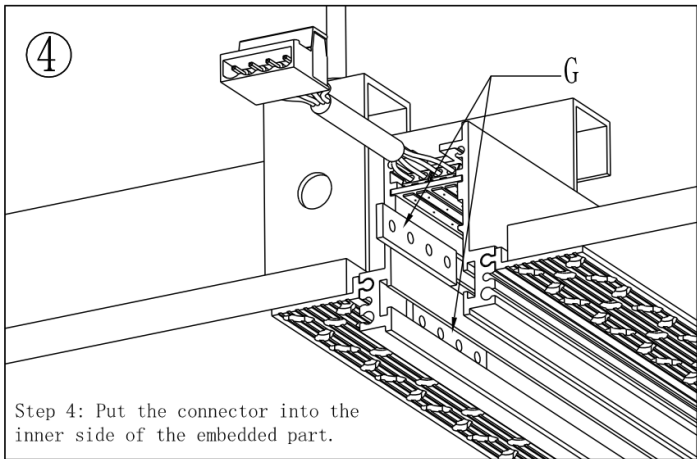
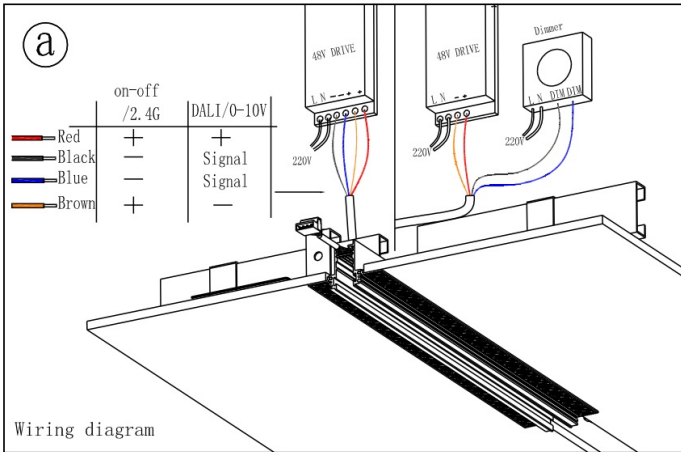
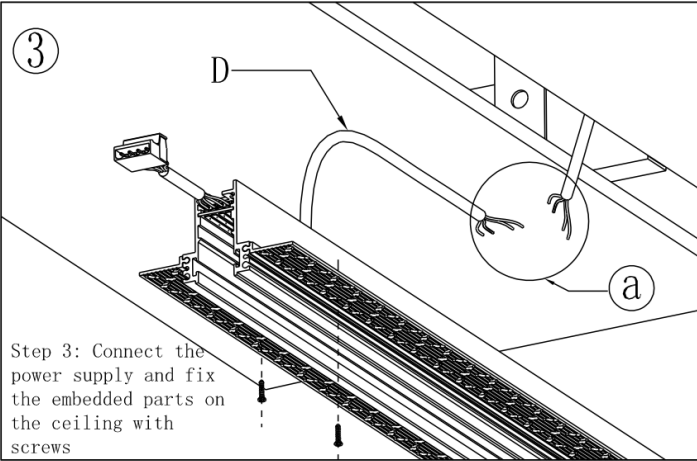
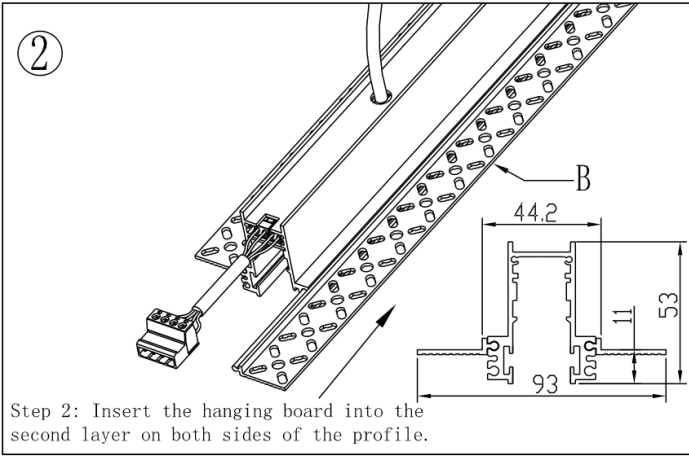
Embedded parts
(accessory package)

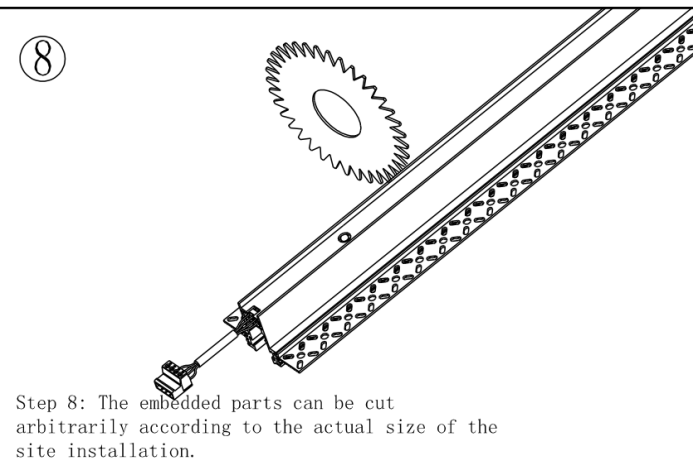
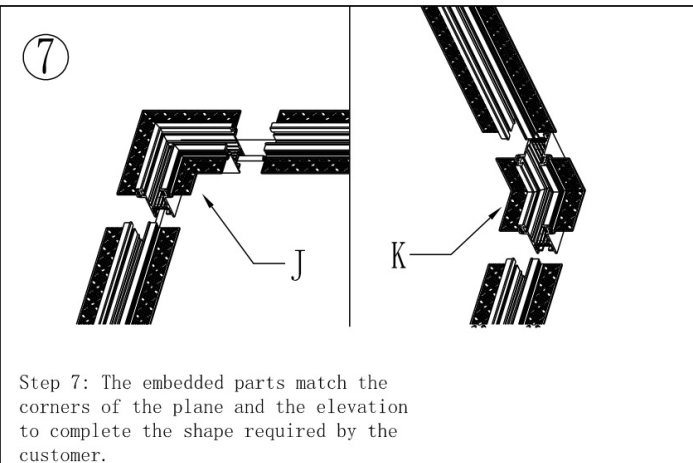
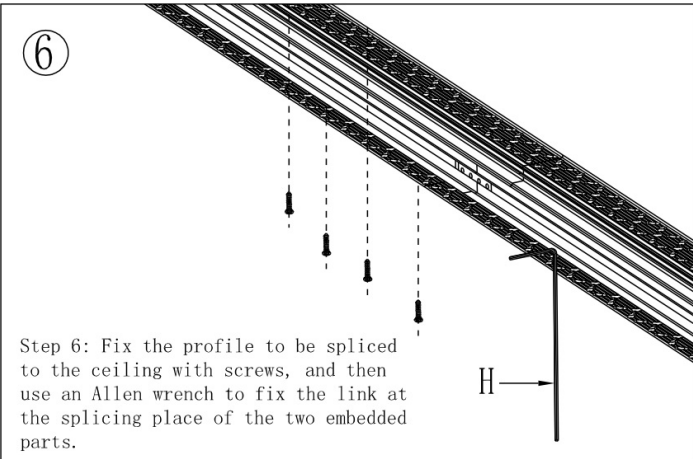
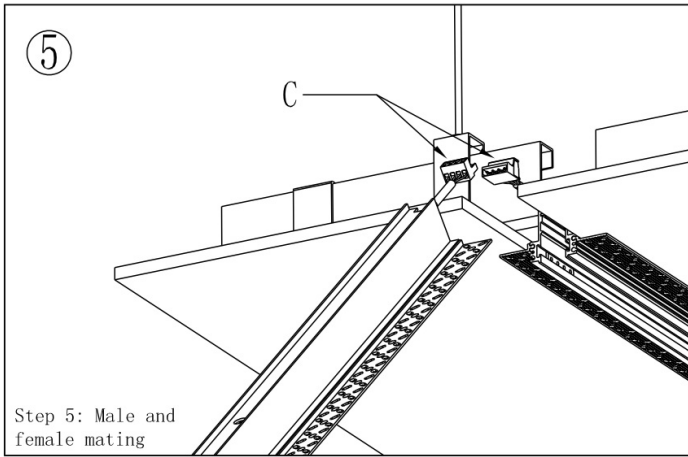


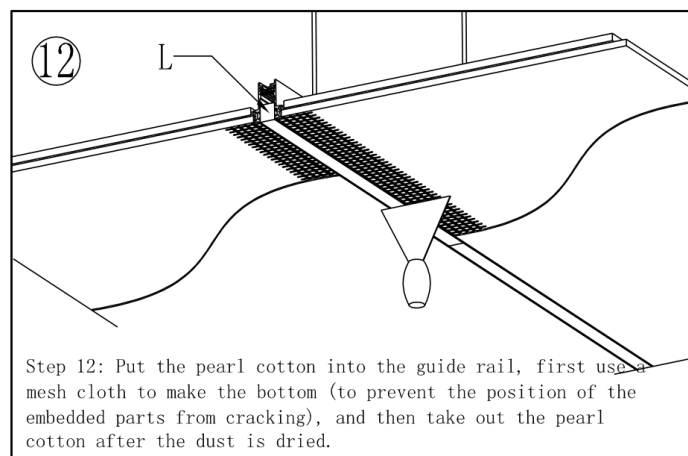
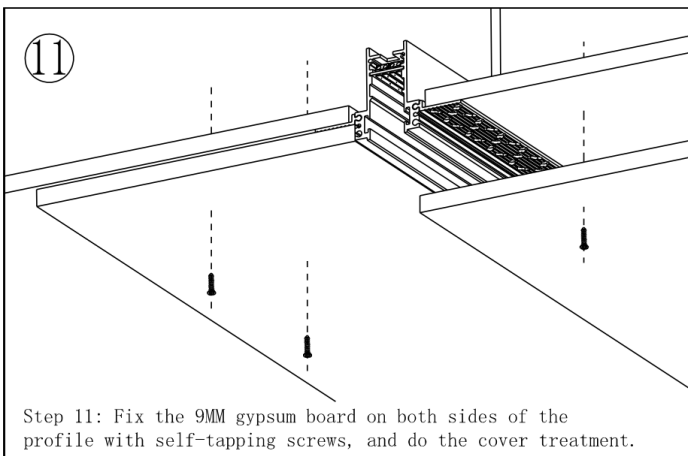
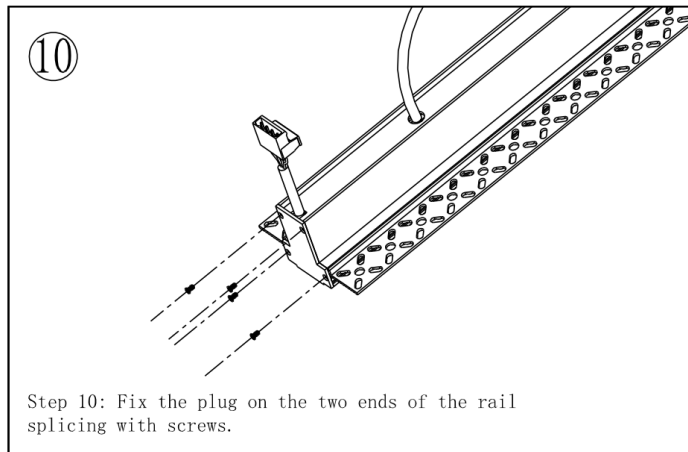
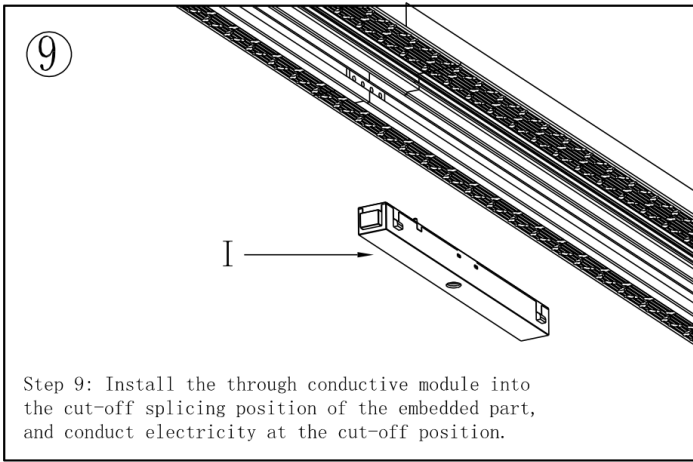
NO	Model	Name	specification
A	603010	Guide	1000*40.3*53MM
		Guide	2000*40.3*53MM
B		Hanging board*2	1000*30.1*6.1MM
C		Male and female plug*2	Male and female plug pluggable, 6A
D		Power cord	500MM*0.75 ²
E		Plug*2	53*40.3*2MM
F		Screw*8	M3*6
G		Connector*2	40*9.5*1.8MM
H		Allen wrench*1	120MM M2
I		Through conductive module	Turn on and cut off the electricity of the embedded parts
J	603901	Flat corner	124*124*53MM
K	603902	Facade corner	102*102*53MM
L		Pearl cotton	

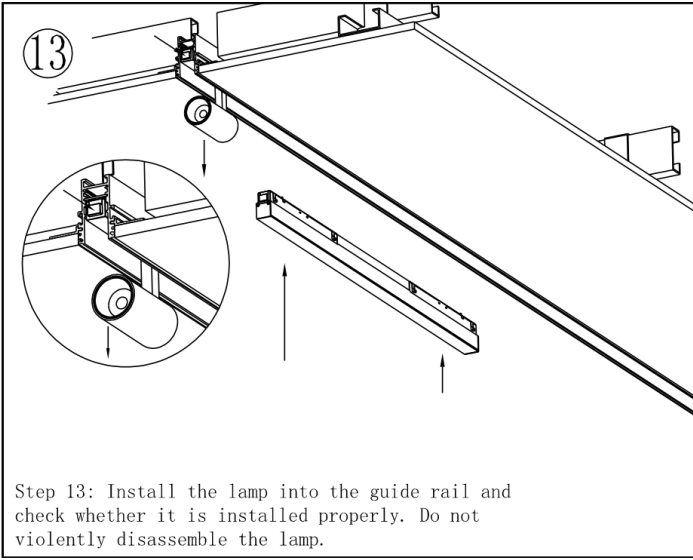
Procedures:

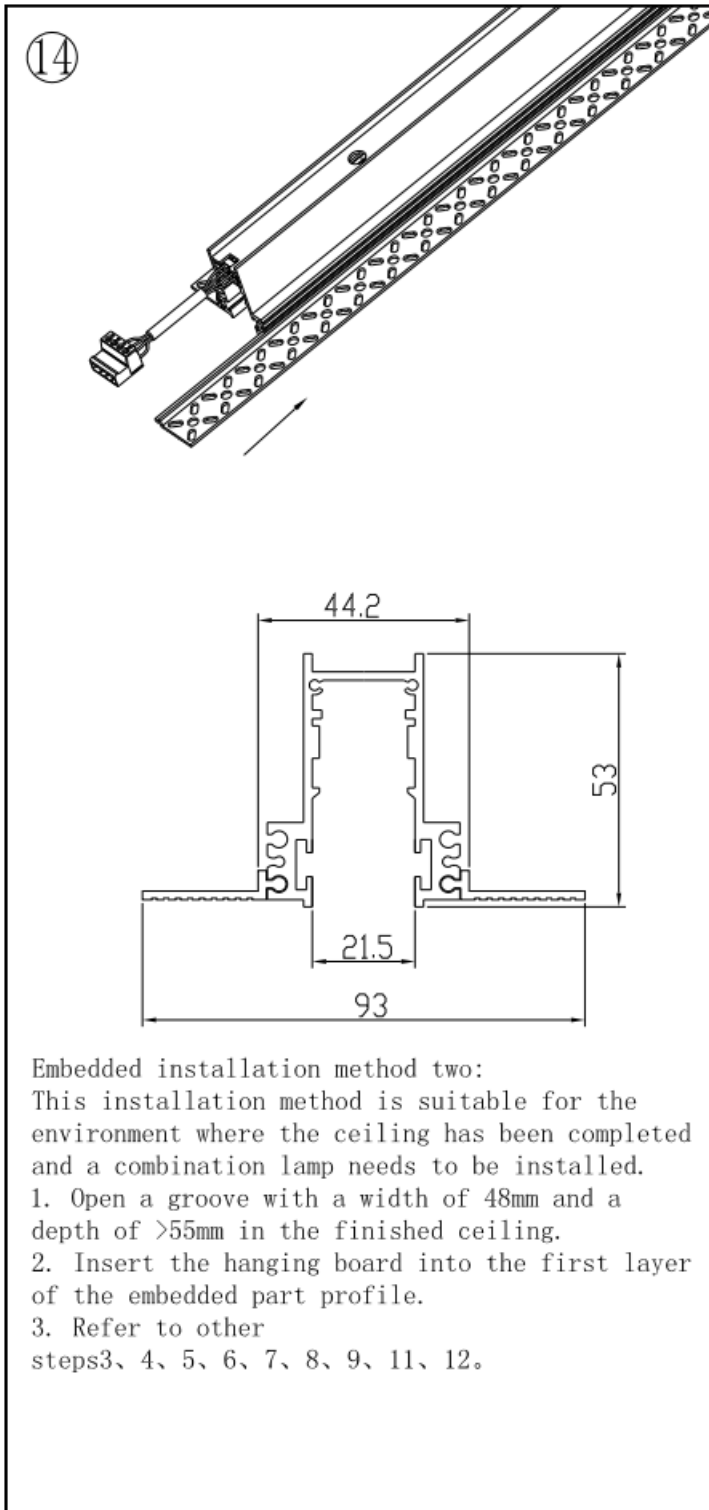




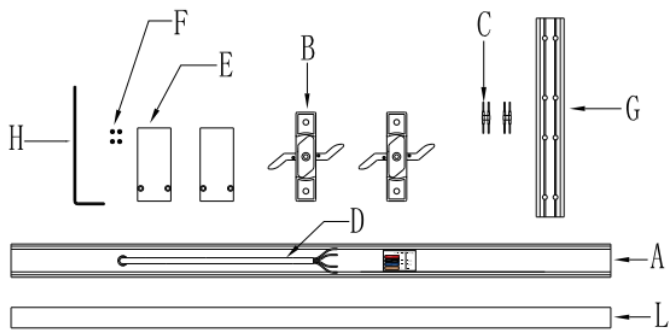






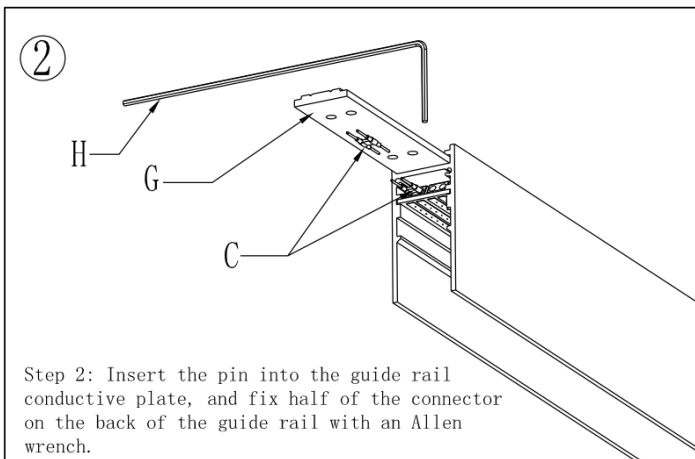
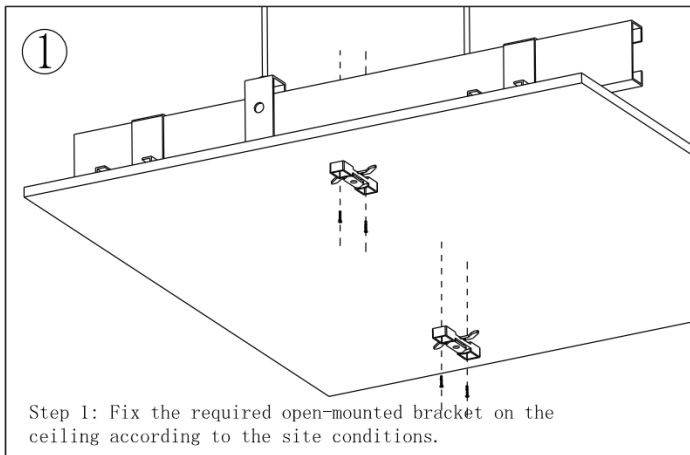


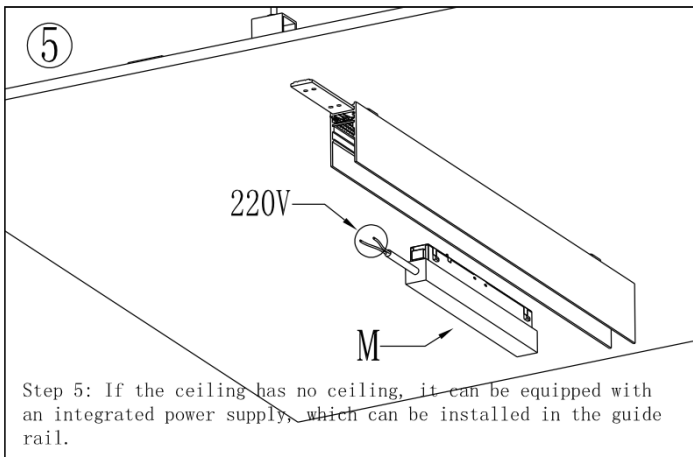
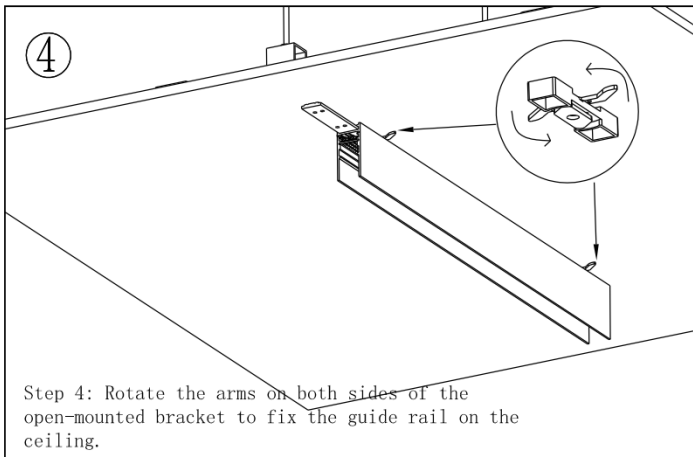
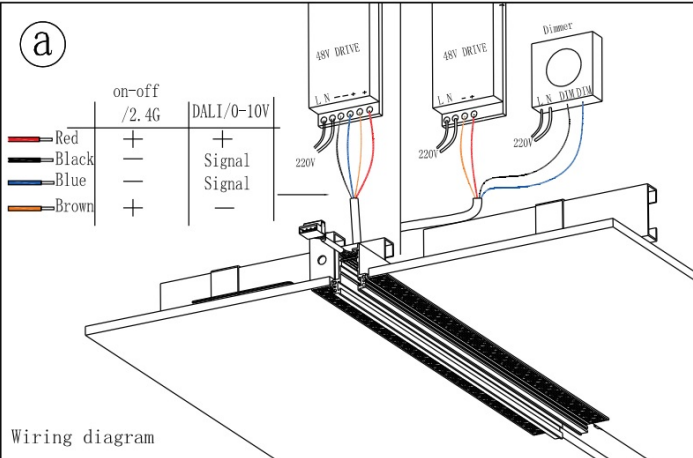
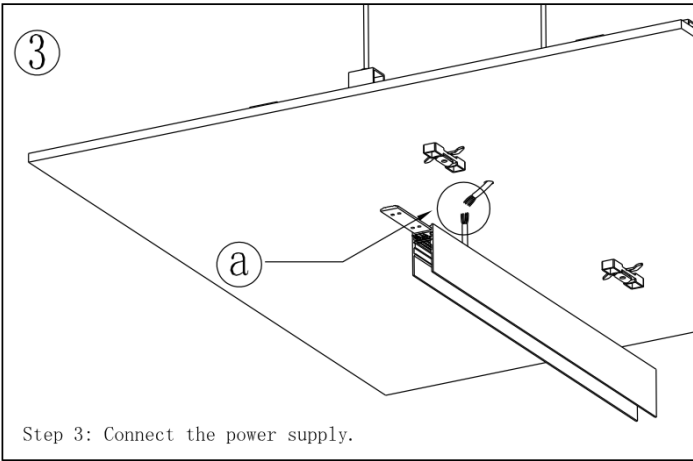
Installation of surface mounted magnetic tracks is as follows:

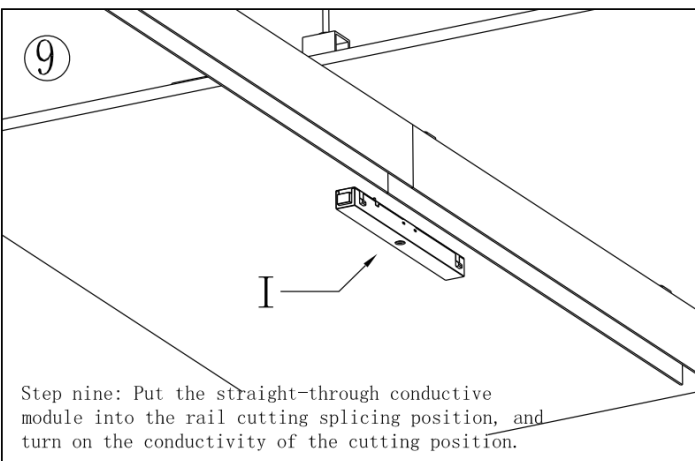
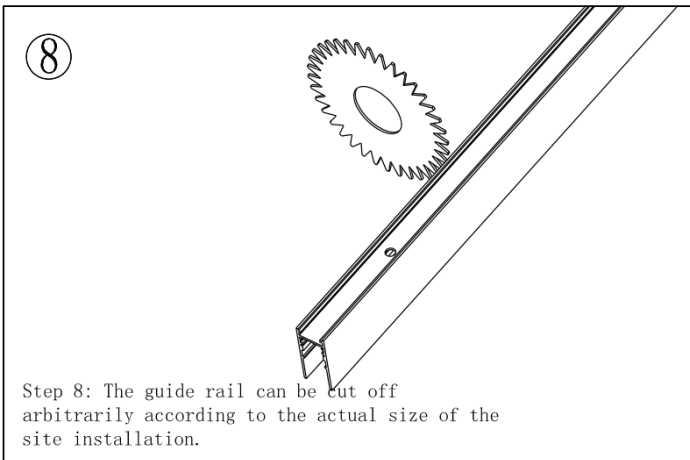
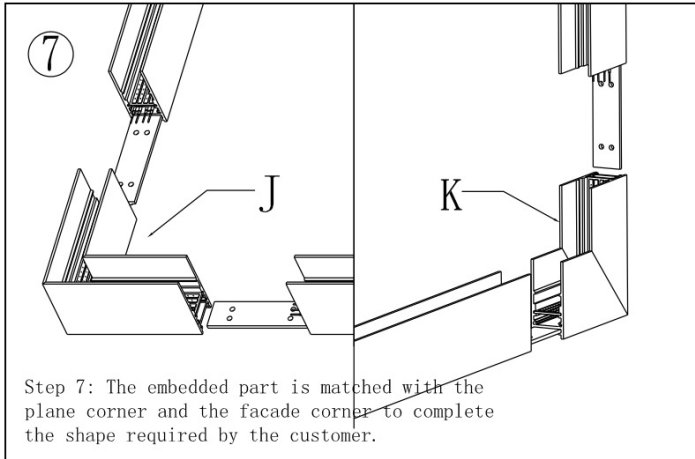
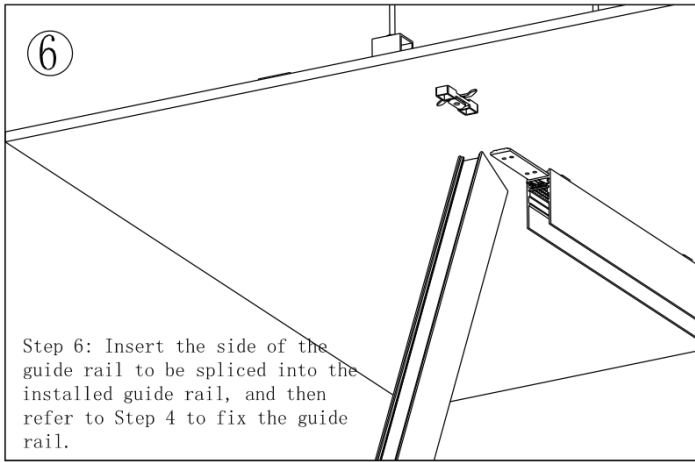


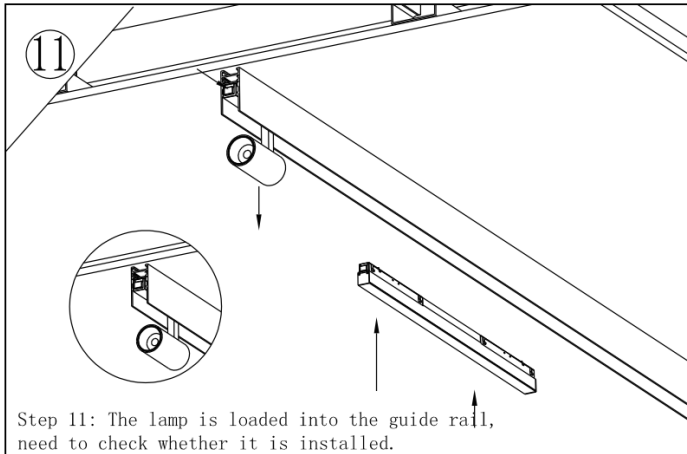
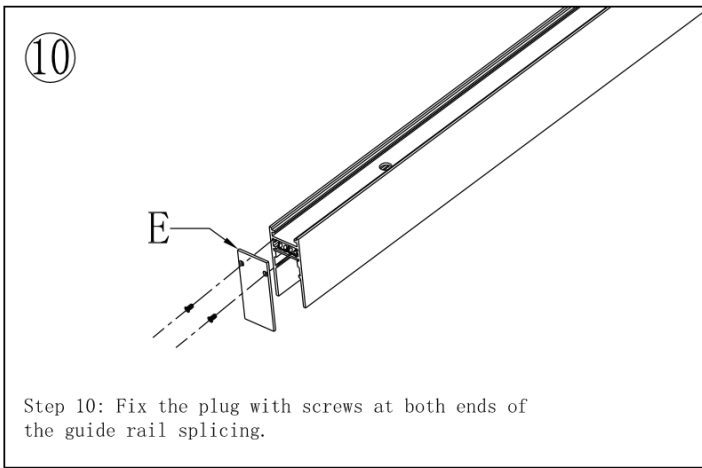
NO	Model	Name	specification
A	603110	Rail	1000*25.1*55MM
		Rail	2000*25.1*55MM
B		Mounting bracket*2	67*25.2*9.3MM
C		Pin*2	3A
D		Power cord	500MM 4*0.75 ²
E		Cap*2	55.1*25.1*2MM
F		Cap screw*4	M3*6
G		Connector*1	150*21*3.5MM
H		Wrench*1	120MM M2
I		Conducting module	
J	603903	Flat corner	100*100*25.1MM
K	603904	Elevation corner	100*100*25.1MM
L		Pearl wool	
M		Power source	100W/150W/200W

Procedures:

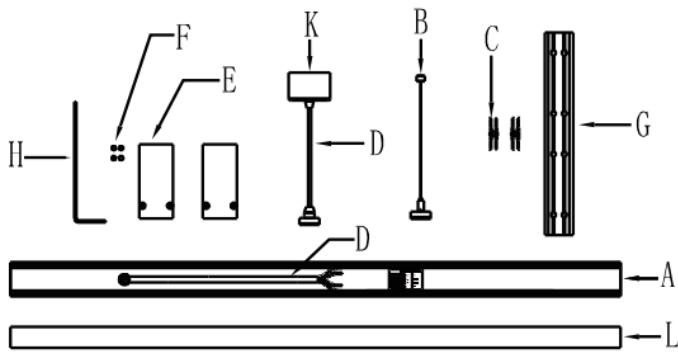




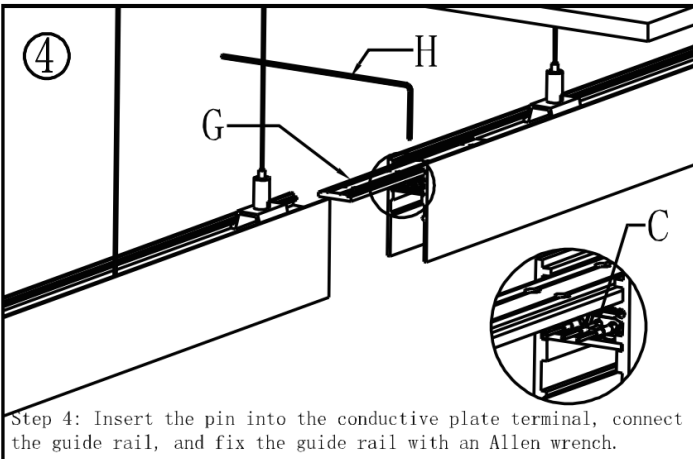
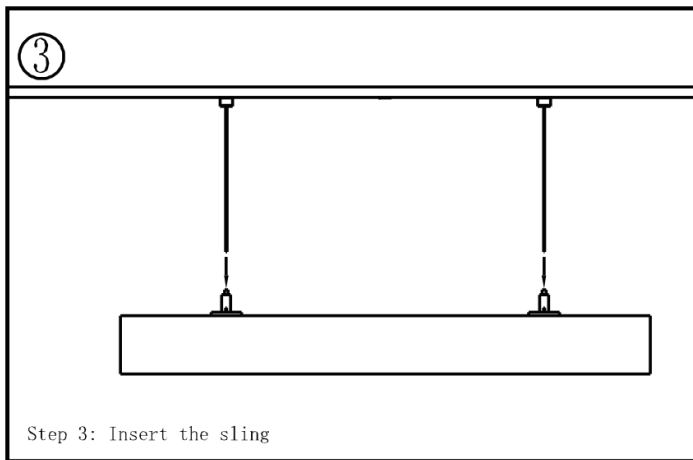
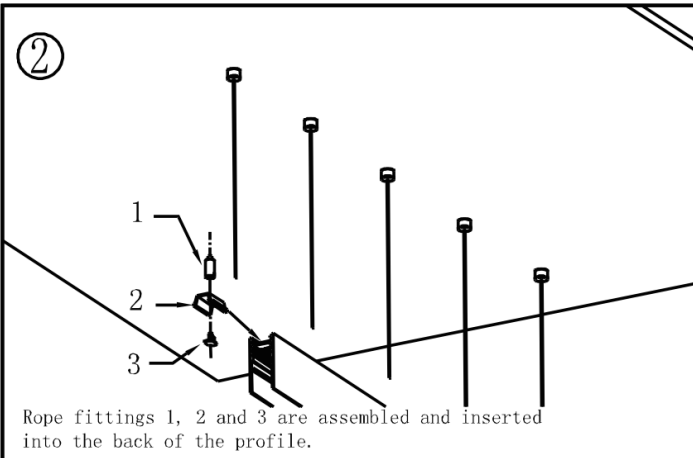
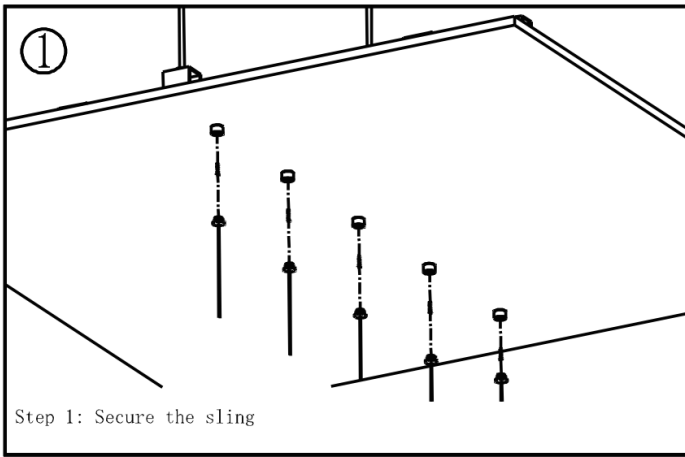


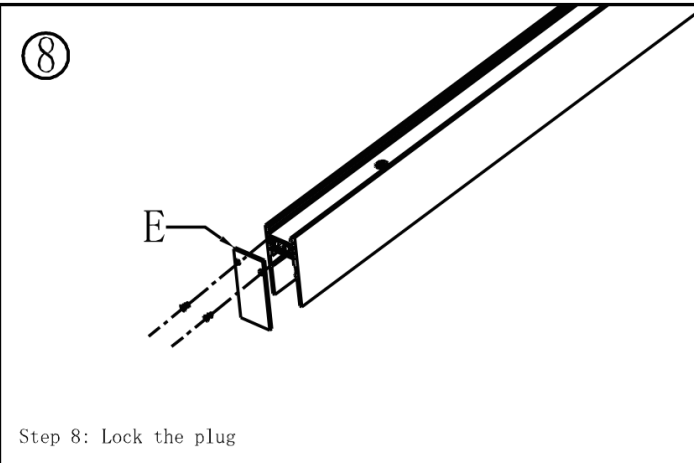
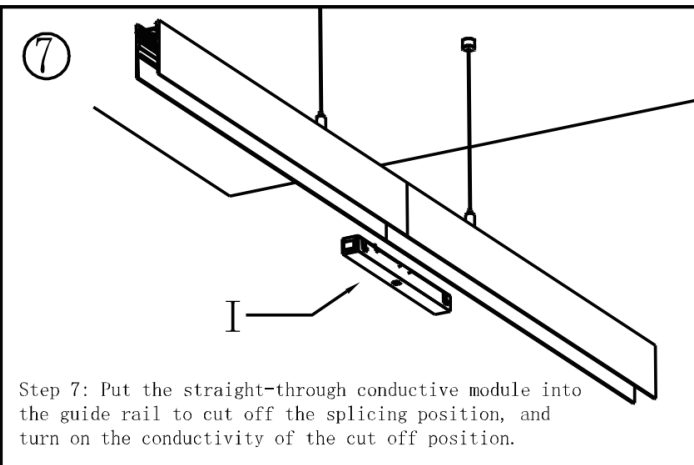
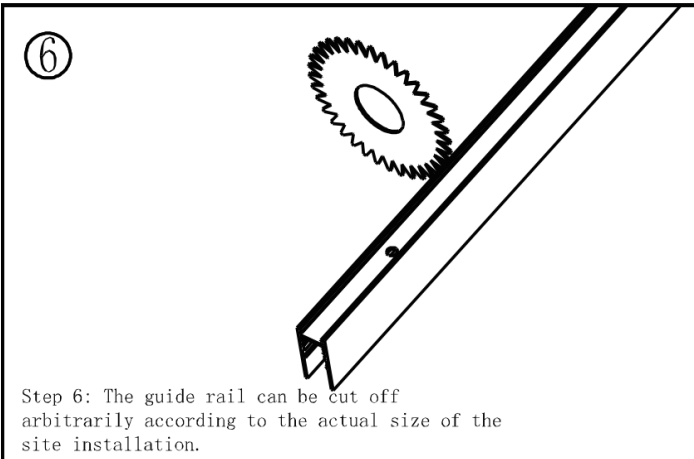
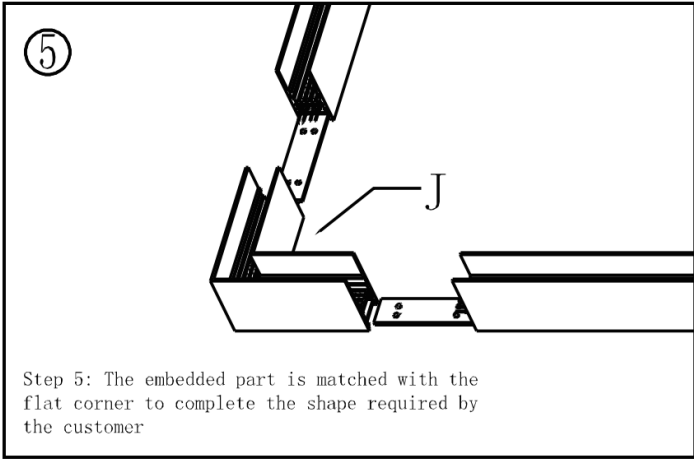


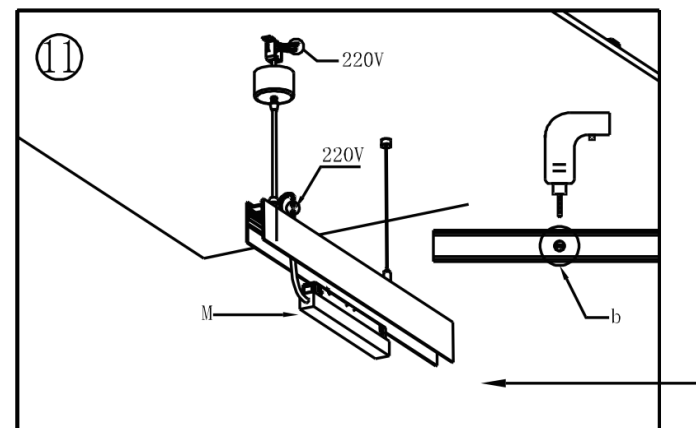
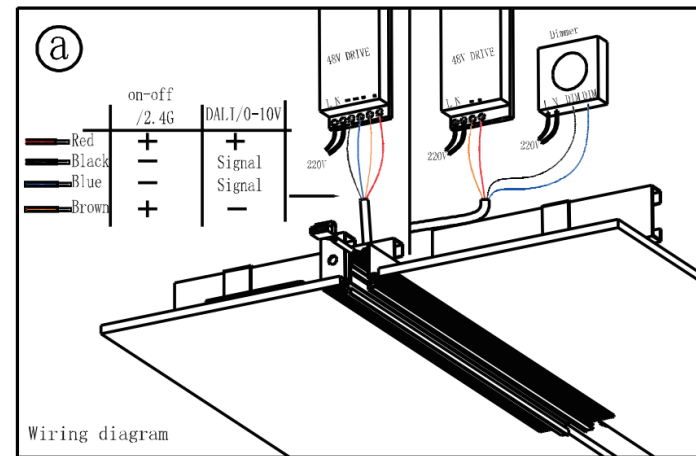
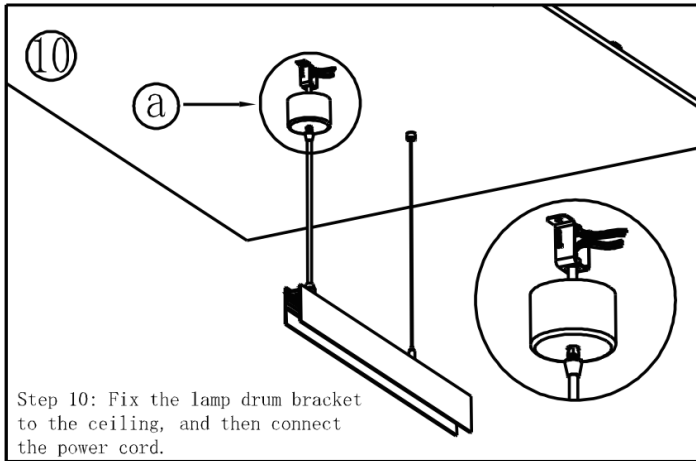
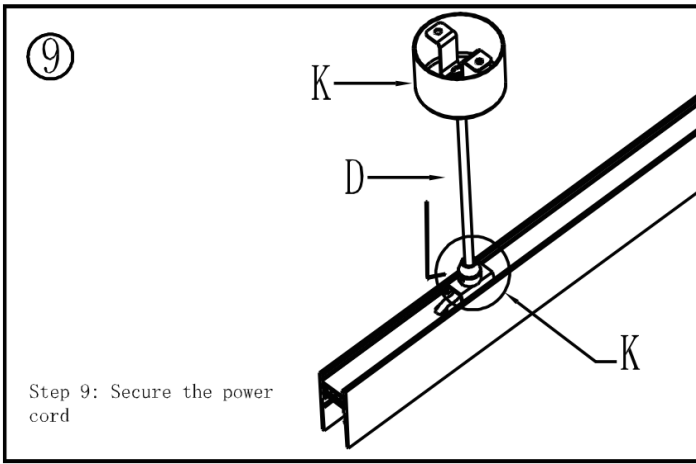
Installation of suspension magnetic tracks is as follows:

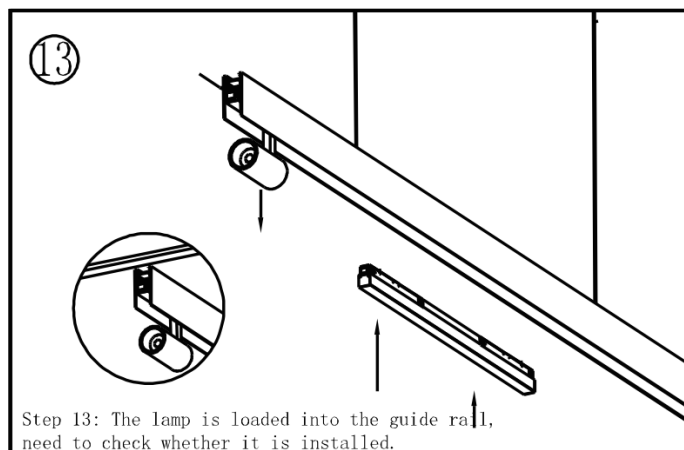
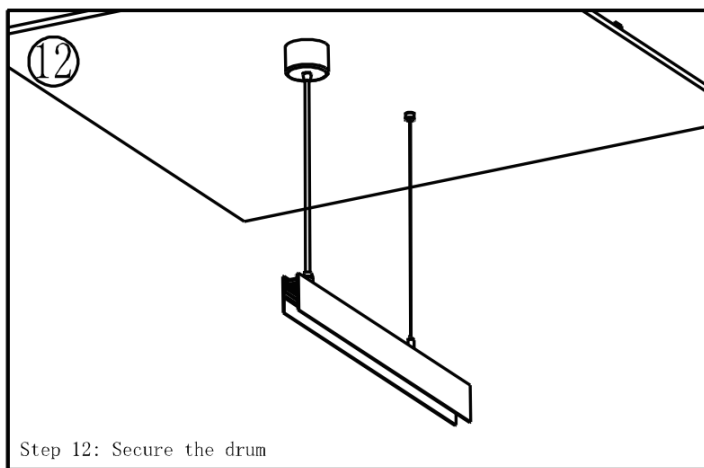


NO	Model	Name	specification
A	603310	Rail	1000*25.1*55MM
		Rail	2000*25.1*55MM
B		Sling assembly	2M
C		Pin*2	3A
D		Power cord	1500MM 4*0.75 ²
E		Cap*2	55.1*25.1*2MM
F		Cap screw*4	M3*6
G		Connector*1	150*21*3.5MM
H		Wrench*1	120MM M2
I		Conducting module	
J	603903	Flat corner	100*100*25.1MM
K		Power cord kit	
L		Pearl wool	
M		Power source	100W/150W/200W









◆◆ Disassembly

Warning: Before disassembling, please cut off the power supply, and operation with electricity is prohibited.

◆◆ Packing List

- Different installation methods have different accessory packages. Please refer to the installation instructions for details.

Note: After unpacking, please check if the product and the parts are complete.

◆◆ Copyright Statement

HDL has all the intellectual property rights to this document and contents thereof. Reproduction or distribution for third parties are prohibited without written authorization from HDL. Any infringement of HDL's intellectual property rights will be investigated the legal liability.

The contents of this document will be updated as the updates of product versions or other reasons. Unless otherwise agreed

upon, this document is to be used as a guidance only. All the statements, information and recommendations in this document makes no warranty expressed or implied.

© 2025 HDL Automation Co., Ltd. All rights reserved.

Update History:

The form below contains the information of every update. The latest version contains all the updates of all former versions.

Version	Update Information	Date
V1.0	Initial release	Sept. 12, 2025

◆◆ Technical Support

E-mail: hdltickets@hdlautomation.com

Website: <https://www.hdlautomation.com>