

# KNX Dual Power Supply Module

## Datasheet



MEP640-KT.13



Please scan the QR code above to check the latest version of datasheet!

Before using this product, please read this datasheet carefully and keep it properly!

Document Version: C

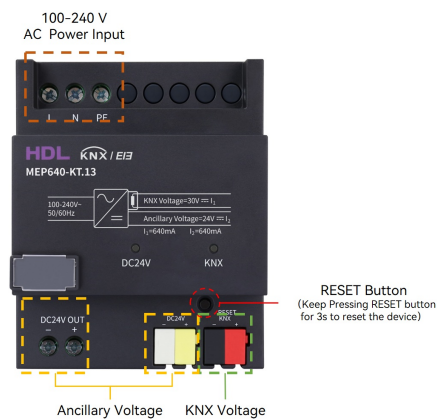
## ◆◆ Overview

This product is a high-performance, dual-output power supply module compliant with the KNX standard, featuring two independent 640mA output channels. One channel integrates a choke to provide a stable system voltage for KNX bus devices; the other offers a 24V DC auxiliary power supply, supporting both KNX devices requiring auxiliary power and other 24V powered equipment. The module incorporates multiple protection mechanisms, including overload, short-circuit, overvoltage, and over-temperature protection, and supports a manual reset function. It is suitable for various smart building and automation control scenarios.

Key Features:

- **Dual Independent Outputs:** One channel provides standard KNX power output with a maximum load capacity of 640mA; the other offers a 24V DC auxiliary power output, also with a 640mA load capacity and dual interfaces for flexible connection of various devices.
- **Comprehensive Protection Mechanisms:** Built-in protections against overload, short-circuit, overvoltage, and over-temperature enhance system reliability.
- **Manual Reset Function:** Press and hold the reset button for 3 seconds to enter reset mode, with reset completion in approximately 20 seconds, facilitating system debugging and recovery.

## ◆◆ Appearance



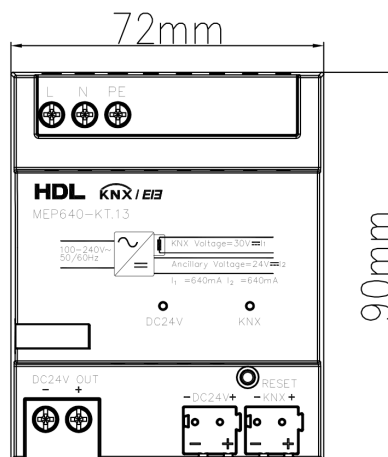
## ◆◆ Technical Data

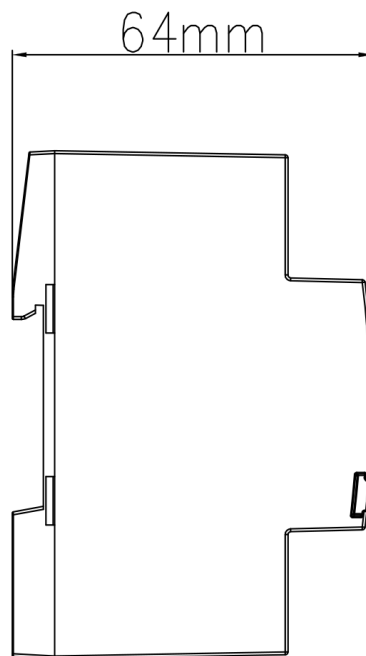
Item	Parameter
Input voltage	100-240V~50/60Hz
KNX Output voltage	30V DC
KNX Output current	640mA
Ancillary Output Voltage	24V DC

Ancillary Output Current	640mA
Communication protocol	KNX
Efficiency	>83%
Reset Button	Press and hold for 3 seconds to enter reset mode; the reset completes after 20 seconds
Reset Indicator	Lights red during reset status
KNX Power Indicator	Green: Normal operation status Red: Overload ( $I > I_{max}$ )
Auxiliary Power Indicator	Green: Normal operation status Red: Overload ( $I > I_{max}$ )
Cable diameter of KNX terminal	0.6-0.8mm
Working temperature	-5°C~45°C
Working relative humidity	≤90%RH
Storage temperature	-20°C~60°C
Storage relative humidity	≤93%RH

## ◆◆ Specifications

Item	Parameter
Dimensions	72×90×64 (mm)
Net weight	251g
Housing material	PA66
Installation	35mm DIN rail mounted
Protection rating (compliant with EN 60529)	IP20
Approved	CE, RoHS,KNX



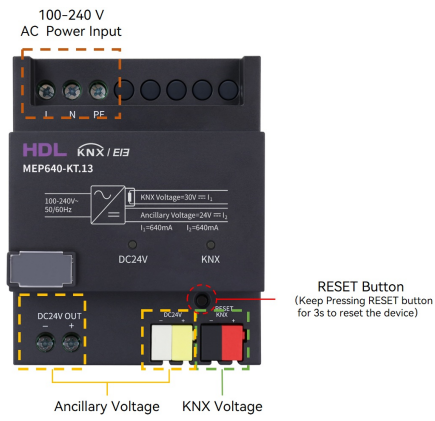


## ◆◆ Safety Precaution

- The installation and commissioning of the device must be carried out by HDL or the organization designated by HDL. For planning and construction of electric installations, the relevant guidelines, regulations and standards of the respective country are to be considered.
- The device should be installed in distribution box with din rail. HDL takes no responsibility for all consequences caused by installation and wire connection which are not in accordance with this document.
- Please do not privately disassemble the device or change components, otherwise it may cause mechanical failure, electric shock, fire or body injury.
- Please resort to our customer service department or designated agencies for maintenance service. The warranty is not applicable for the product fault caused by private disassembly.
- Installation - Distribution board.

## ◆◆ Wiring

Warning: Prior to performing wiring on the device, disconnect the device from all voltage sources.



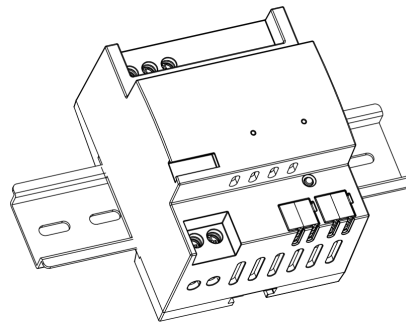
## ◆◆ Installation

Warning: Before performing any installation procedures on the device, it is crucial to disconnect the device from all voltage sources.

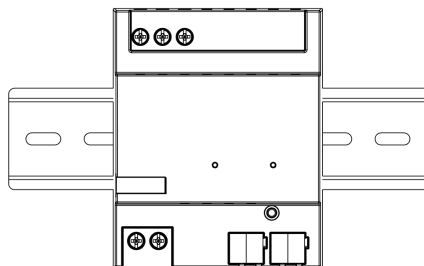
Step 1. Fix the DIN rail with screws.



Step 2. Mount the device on the DIN rail.



Step 3. Slide the device to the desired position.



Note: After all of the cables are terminated, check for correct and good terminations. Before powering on, please ensure the device is tightly on the wall body.

## ◆◆ Operation

## ◆◆ Packing List

- KNX Dual Power Supply Module\*1
- Module label\*5
- PET label\*2

Note: After unpacking, please check if the product and the parts are complete.

## ◆◆ Copyright Statement

HDL has all the intellectual property rights to this document and contents thereof. Reproduction or distribution for third parties are prohibited without written authorization from HDL. Any infringement of HDL's intellectual property rights will be investigated the legal liability.

The contents of this document will be updated as the updates of product versions or other reasons. Unless otherwise agreed upon, this document is to be used as a guidance only. All the statements, information and recommendations in this document makes no warranty expressed or implied.

© 2025 HDL Automation Co., Ltd. All rights reserved.

### Update History:

The form below contains the information of every update. The latest version contains all the updates of all former versions.

Version	Update Information	Date
V1.0	Initial release	Dec 26, 2025
V1.1		

## ◆◆ Technical Support

E-mail: [hdtickets@hdlautomation.com](mailto:hdtickets@hdlautomation.com)

Website: <https://www.hdlautomation.com>